

WALL REPORT

Client Information:
Contractor Name
Ph: 123-456-7890
Email: xxxxx@xxxx.xxx



Customer Information:

Customer Name

1234 Street Name, City Name, State Postal Code

Order Number:



Table of Contents	Page
Aerial Photo & Summary of Wall Areas and Lengths	2
Property Photos(North & South View)	3
Property Photos(East & West View)	4
North Elevation & Facet Table	5
South Elevation & Facet Table	6
East Elevation & Facet Table	7
West Elevation & Facet Table	8
Area Measurements & Waste Factor Calculations	9

Client Information:
Contractor Name
Ph: 123-456-7890
Email: xxxxx@xxxx.xxx

Customer Information:
Customer Name
1234 Street Name, City Name, State Postal Code

Wall Report

Order Number:

Aerial Photo



Summary of Wall Areas and Lengths

Wall Area	2525
Total Window & Door Area	652
Wall Area with Windows & Doors	3177
No. of Wall Facets	19
Total Windows & Doors	19
Wall Top (ft)	335
Wall Base (ft)	178
Wall Corner (ft)	235
Door Head (ft)	31
Door Edge (ft)	71
Window Head (ft)	87
Window Edge (ft)	137
Window Sill (ft)	87

Location Map: [xxxxxxxxxxxxxx](#)

Client Information:
Contractor Name
Ph: 123-456-7890
Email: xxxxx@xxxx.xxx

Customer Information:
Customer Name
1234 Street Name, City Name, State Postal Code

Wall Report

Order Number:

Property Photos



North Side View



South Side View

Client Information:
Contractor Name
Ph: 123-456-7890
Email: xxxxx@xxxx.xxx

Customer Information:
Customer Name
1234 Street Name, City Name, State Postal Code

Wall Report

Order Number:

Property Photos



East Side View



West Side View

Client Information:
Contractor Name

Ph: 123-456-7890

Email: xxxxx@xxxx.xxx

Customer Information:

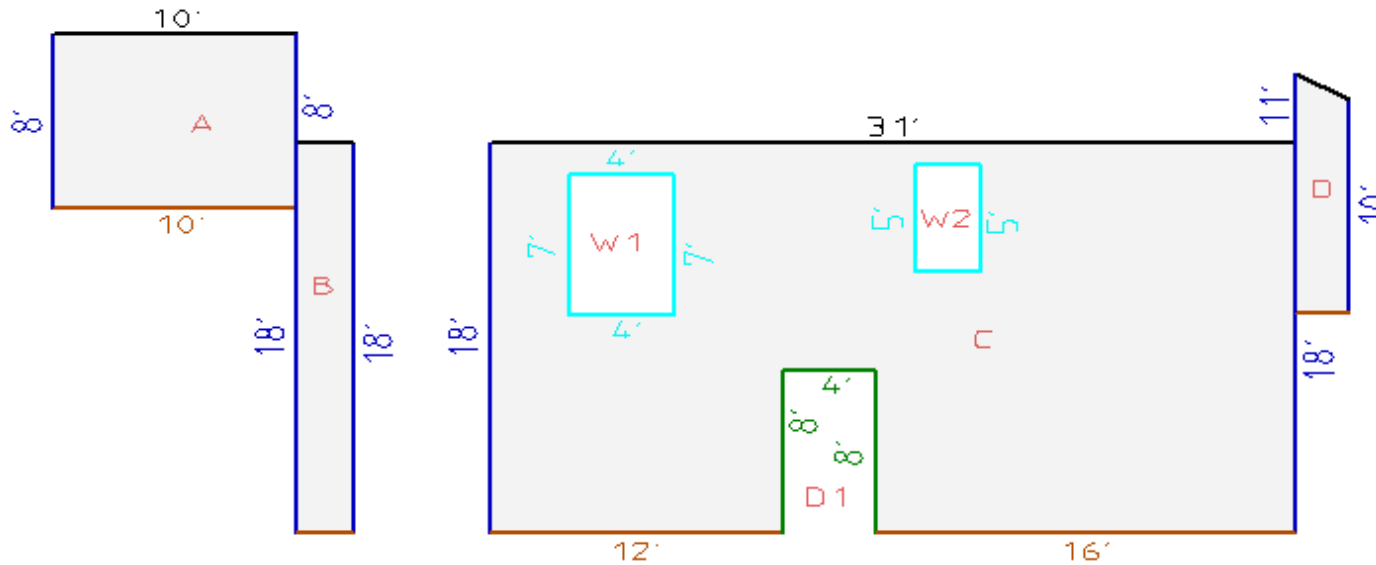
Customer Name

1234 Street Name, City Name, State Postal Code

Wall Report

Order Number:

North Elevation & Facet Table



Facet	Area (Sqft)	Plane Type
A	74	Wall
B	39	Wall
C	488	Wall
D	21	Wall
Total	622 Sqft	
W1	26	Window
W2	13	Window
D1	27	Door
Total	66 Sqft	

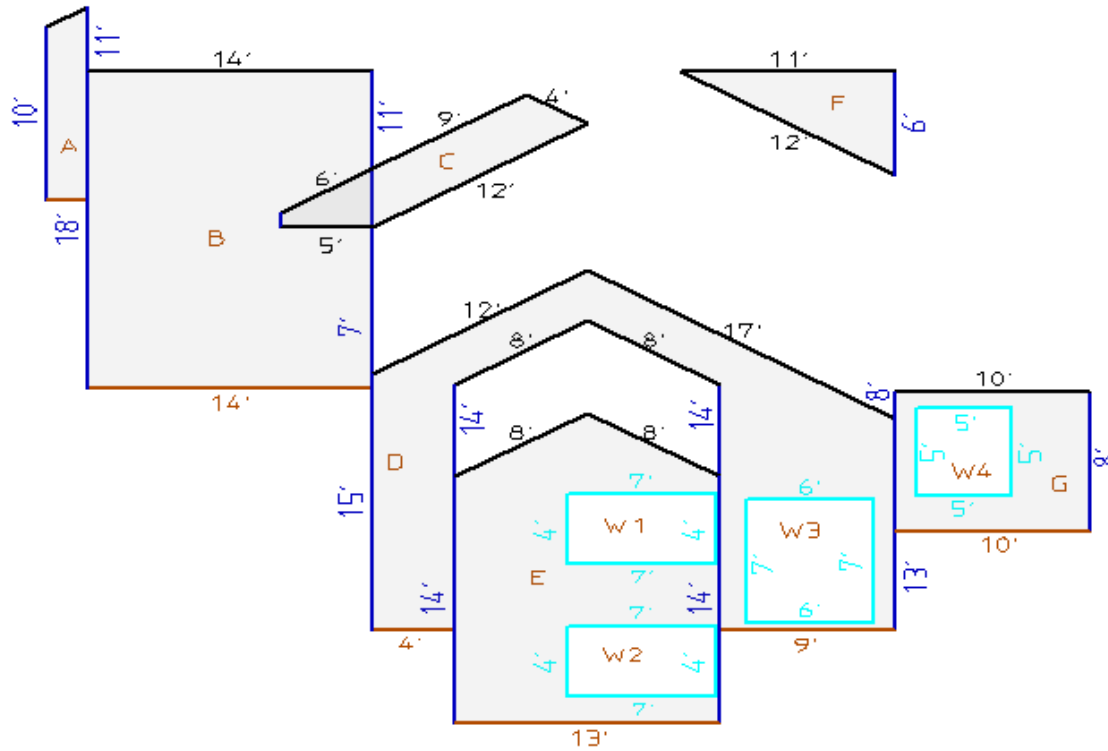
Client Information:
Contractor Name
 Ph: 123-456-7890
 Email: xxxxx@xxxx.xxx

Customer Information:
Customer Name
 1234 Street Name, City Name, State Postal Code

Wall Report

Order Number:

South Elevation & Facet Table



Facet	Area (Sqft)	Plane Type
A	21	Wall
B	242	Wall
C	39	Wall
D	175	Wall
E	143	Wall
F	30	Wall
G	52	Wall
Total	702 Sqft	
W1	28	Window
W2	28	Window
W3	42	Window
W4	23	Window
Total	121 Sqft	

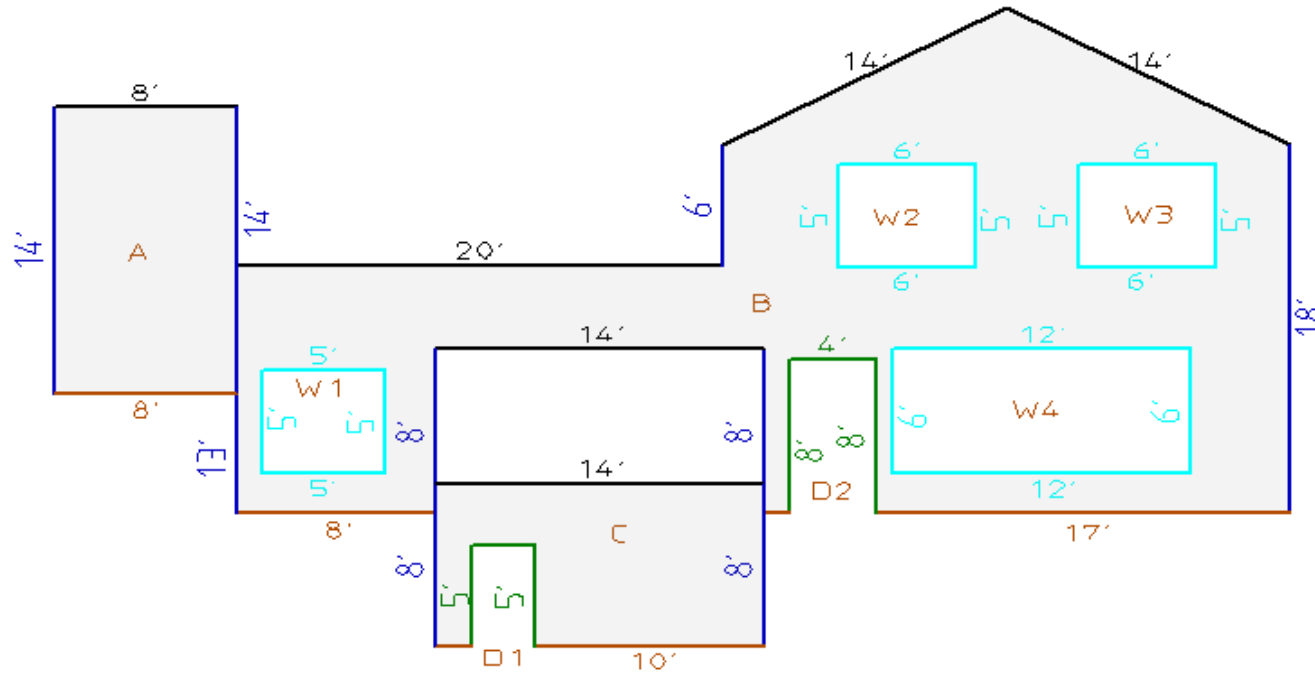
Client Information:
Contractor Name
 Ph: 123-456-7890
 Email: xxxxx@xxxx.xxx

Customer Information:
Customer Name
 1234 Street Name, City Name, State Postal Code

Wall Report

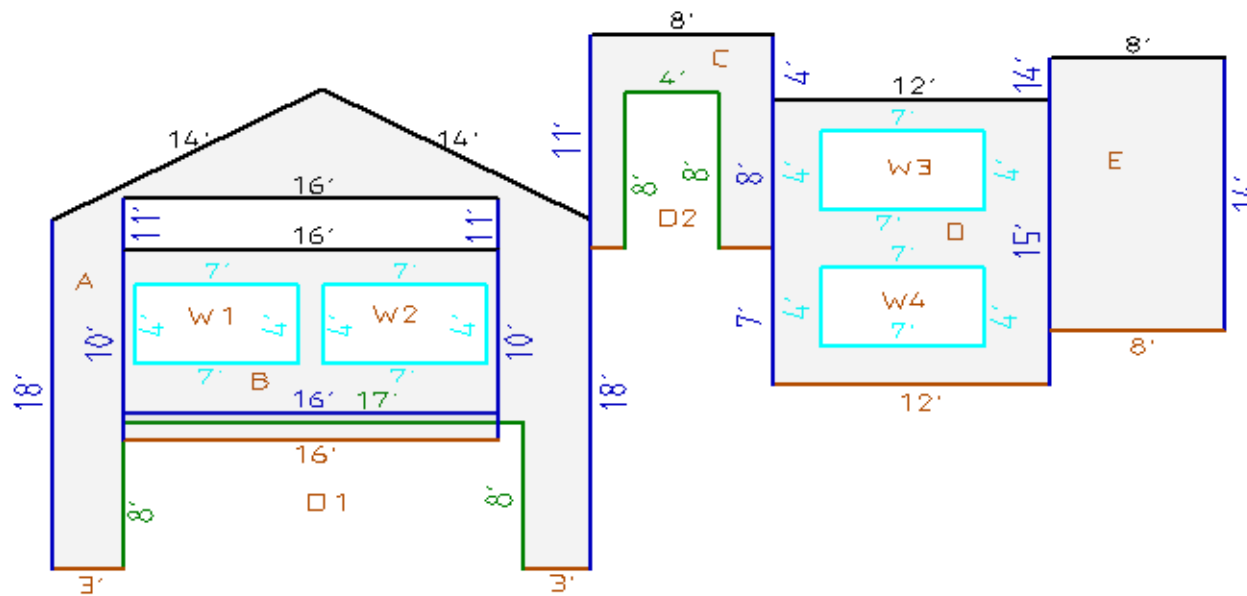
Order Number:

East Elevation & Facet Table



Facet	Area (Sqft)	Plane Type
A	104	Wall
B	441	Wall
C	94	Wall
Total	639 Sqft	
W1	25	Window
W2	28	Window
W3	28	Window
W4	72	Window
D1	13	Door
D2	27	Door
Total	193 Sqft	

West Elevation & Facet Table



Facet	Area (Sqft)	Plane Type
A	185	Wall
B	102	Wall
C	54	Wall
D	117	Wall
E	104	Wall
Total	562 Sqft	
W1	28	Window
W2	28	Window
W3	28	Window
W4	28	Window
D1	128	Door
D2	32	Door
Total	272 Sqft	

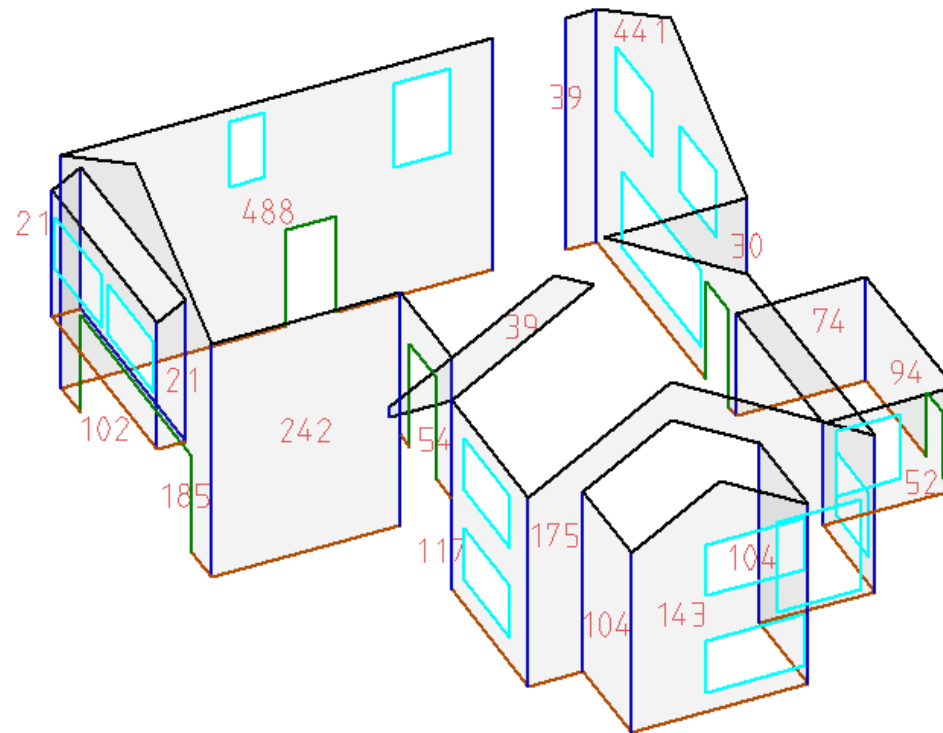
Client Information:
Contractor Name
 Ph: 123-456-7890
 Email: xxxxx@xxxx.xxx

Customer Information:
Customer Name
 1234 Street Name, City Name, State Postal Code

Wall Report

Order Number:

Area Diagram



Waste Factor Calculations For Wall Area Only: (25.25)Sq

5%	10%	12%	15%	18%	20%	25%
26.51	27.78	28.28	29.04	29.80	30.30	31.56