

RESIDENTIAL ROOF REPORT



Customer Information:

Order Number:

1231 xxxxx,xxxxx,xx xxxxx



Table of Contents	Page
Aerial Photo	2
Summary of Lengths, Areas and Pitches Table	3
Property Photos(North and South View)	4
Property Photos(East and West View)	5
Length Plan	6
Area Measurements	7
Pitch Values	8
Street View	9



Customer Information:

1231 xxxxx,xxxxx,xx xxxxx

Residential Roof Report

Order Number:

Aerial Photo



Location Map:



Summary of Lengths, Areas and Pitches Table

Total Area (Sq)	77.23	Pitched Planes (Sq)	77.23
Primary Pitch	5:12	Flat Planes (Sq)	0.00
Ridges (ft)	323	Valleys (ft)	238
Hips (ft)	0	Rakes + Eaves (ft)	981
Rakes (ft)	520	Step Flashing (ft)	372
Eaves (ft)	461	Total Skylights	0
Apron Flashing (ft)	278	Total Chimneys	4
Total Perimeter	462	Parapet Length (ft)	0

Notes: All Measurements are rounded up to the nearest Square foot/ Linear foot where appropriate.

Main Building (Break Down)

Total Area (Sqft)	7723
Ridges (ft)	323
Hips (ft)	0
Valleys (ft)	238
Rakes (ft)	520
Eaves (ft)	461
Rakes + Eaves (ft)	981
Apron Flashing (ft)	278
Step Flashing (ft)	372
Parapet Length (ft)	0

Detached Building (Break Down)

Total Area (Sqft)	0
Ridges (ft)	0
Hips (ft)	0
Valleys (ft)	0
Rakes (ft)	0
Eaves (ft)	0
Rakes + Eaves (ft)	0
Apron Flashing (ft)	0
Step Flashing (ft)	0
Parapet Length (ft)	0

Pitches Table (Pitch By Area)

Pitch/Slope	Area
5:12	7723
Total	7723



Customer Information:

1231 xxxxx,xxxxx,xx xxxxx

Residential Roof Report

Order Number:

Property Photos



North Side View



South Side View



Customer Information:

1231 xxxxx,xxxxx,xx xxxxx

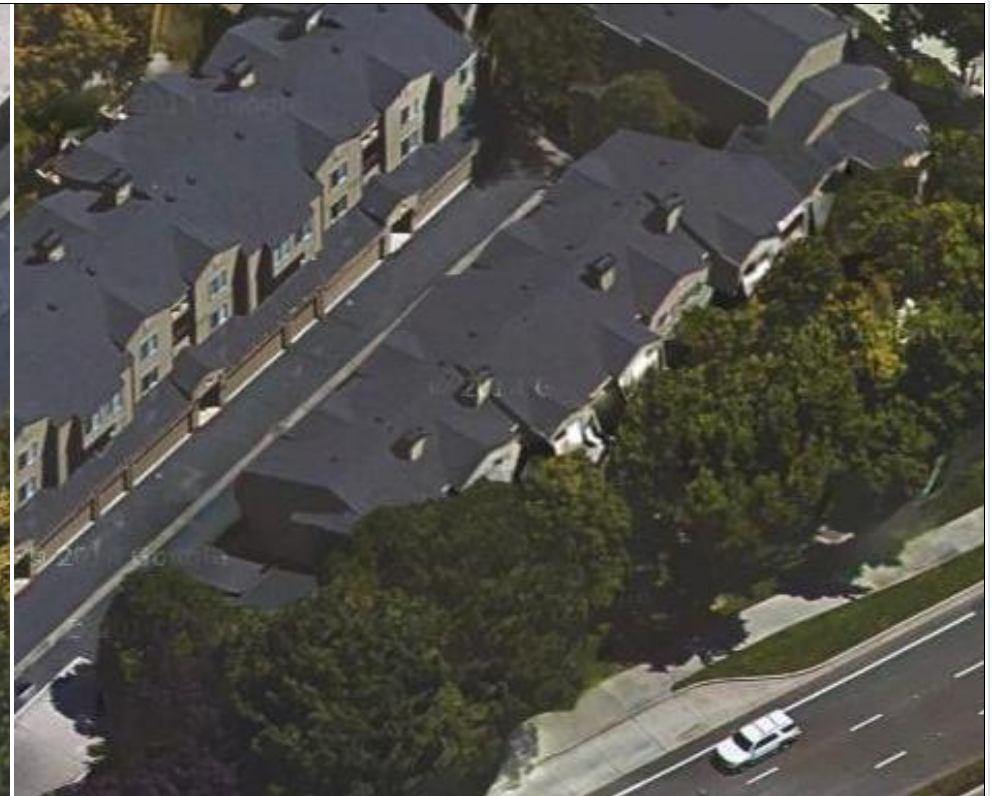
Residential Roof Report

Order Number:

Property Photos



East Side View



West Side View



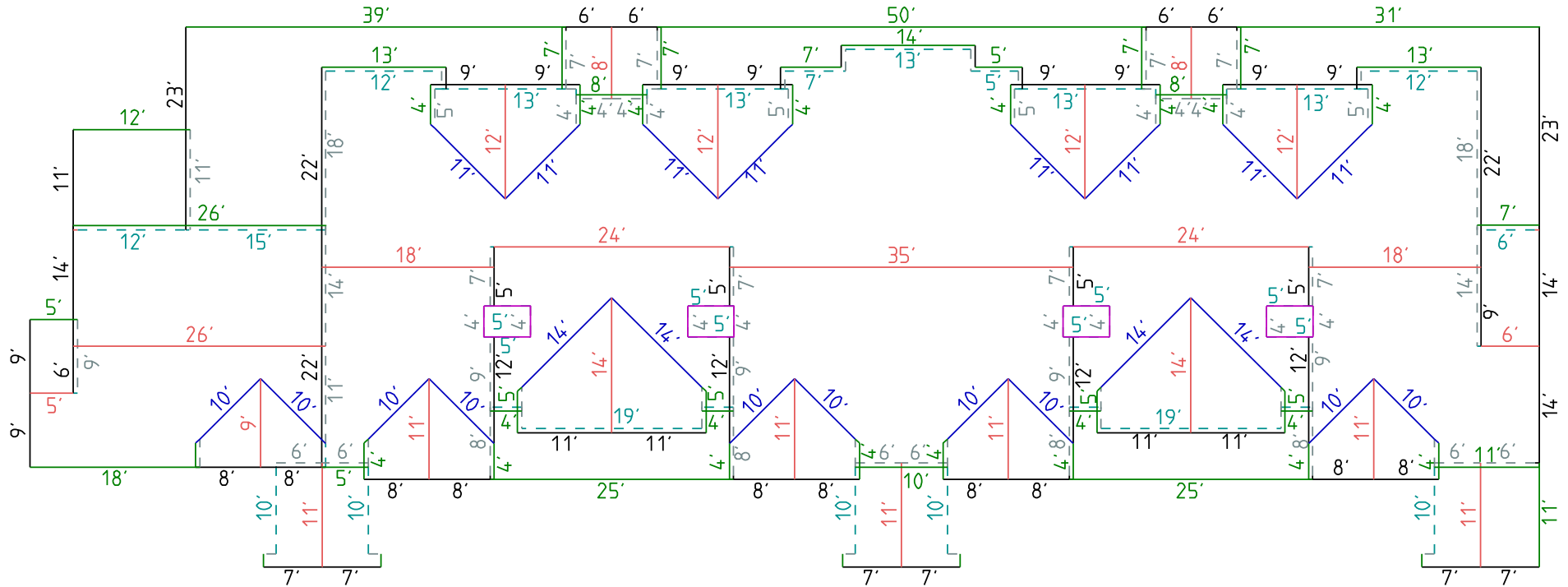
Customer Information:

1231 xxxxx,xxxxx,xx xxxxx

Residential Roof Report

Order Number:

Length Plan

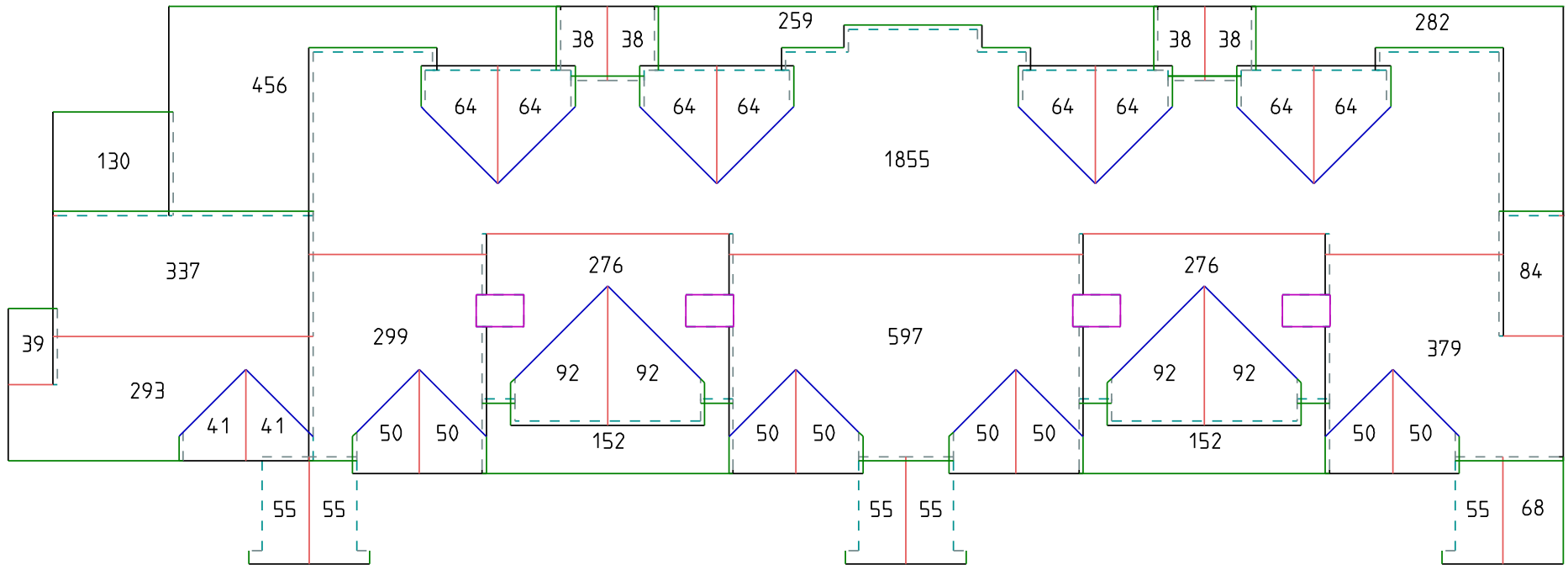


Legend

Eaves = 461ft Rakes = 520ft Ridges = 323ft Hips = 0ft Valleys = 238 ft Apron Flashing = 278 Step Flashing = 372 Parapet Length = 0ft



Area Measurements

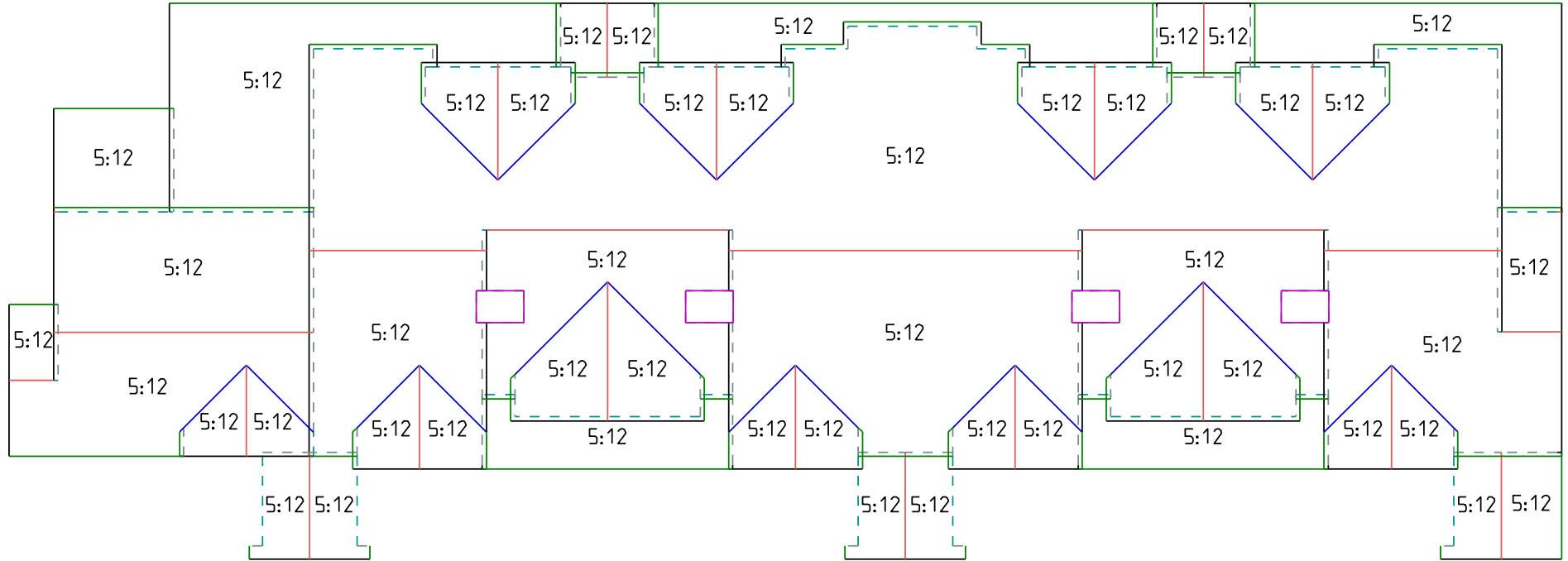


Waste Factor Calculation for (77.23) Sq

5%	10%	12%	15%	18%	20%	25%
81.09	84.95	86.50	88.81	91.13	92.68	96.54



Pitch Values





Customer Information:

1231 xxxxx,xxxxx,xx xxxxx

Residential Roof Report

Order Number:

Street View

